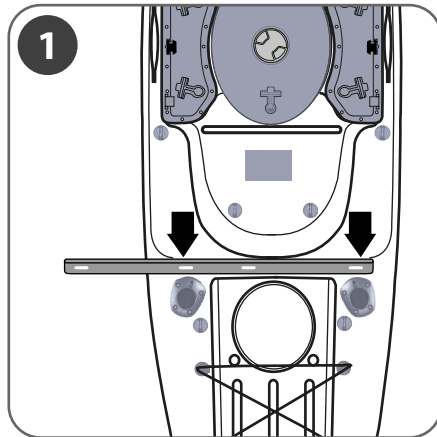
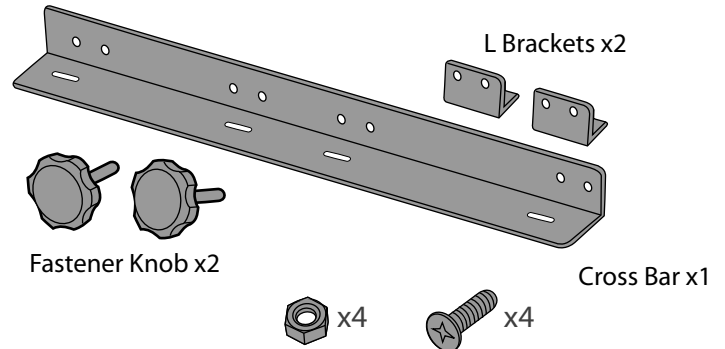
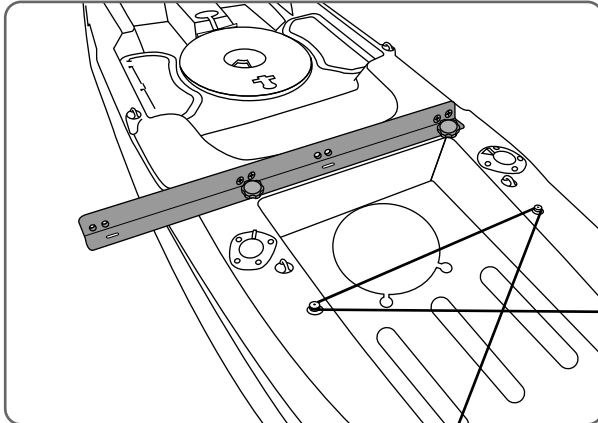


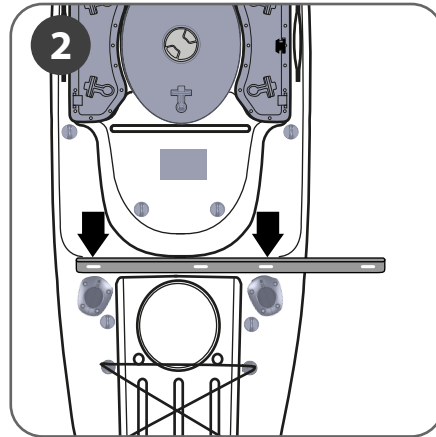
Trolling Motor Mount Installation Instruction

General

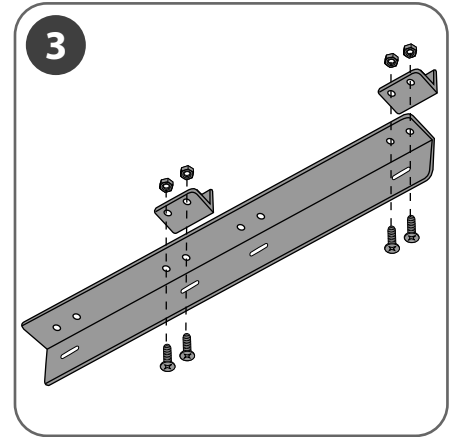
The package should include the following parts:



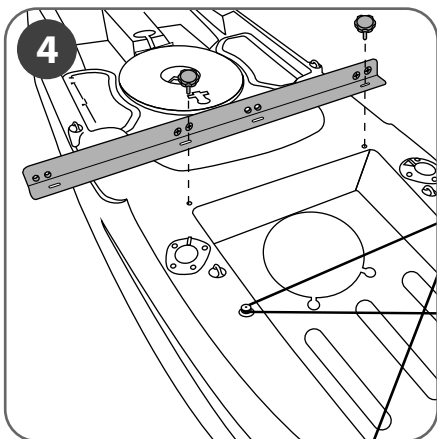
For left hand user, set cross bar behind the seat and align cross bar holes to brass inserts as indicated by the arrows in the image above.



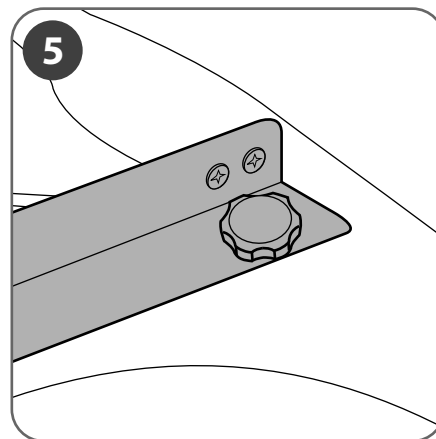
For right hand user, set cross bar behind the seat and align cross bar holes to brass inserts as indicated by the arrows in the image above.



Using a Phillips screw driver and a wrench securely attach the two L Brackets to the cross bar. The L Brackets should line up with the inserts on your kayak, or the arrows in step 1 or 2 based on your choice of position.



Next, set cross bar onto brass inserts with the L Brackets facing the seat and secure using the fastener knobs.



Make sure all pieces are securely tightened prior to use. You have now completed installing your trolling motor mount! The trolling motor mount can be removed by simply loosening the fastener knobs. Enjoy!