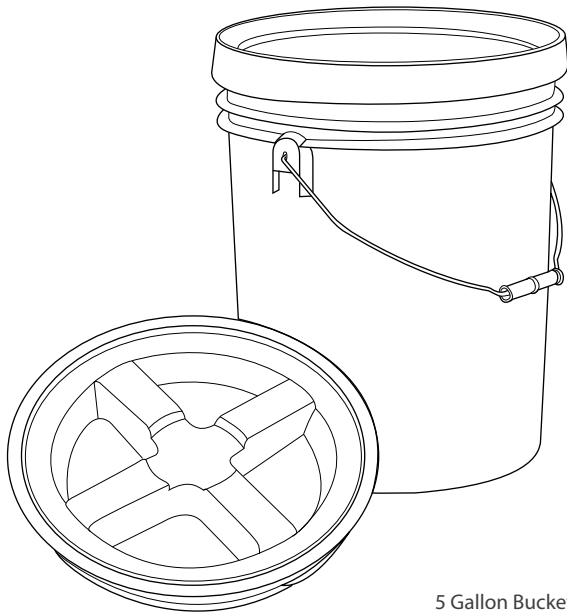
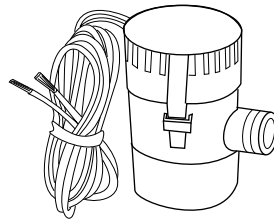


5 Gallons Live Bait Bucket Installation Instruction

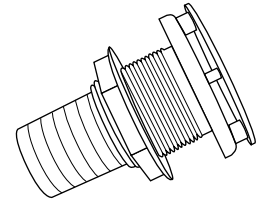
The package should include the following parts:



5 Gallon Bucket w/ Lid (1x)



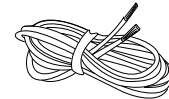
Attwood T-500 Tsunami Series Bilge Pump (1x)



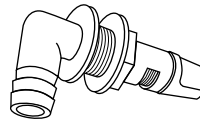
1 1/2" Overflow Drain w/ Filter Straight(1x)



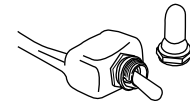
Red Electrical Wires (1x)



Black Electrical Wires (1x)



Adjustable Spray Aerator Head (1x)



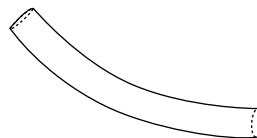
Toggle Switch w/ Toggle Boot (1x)



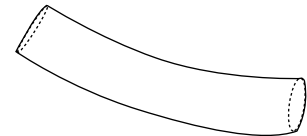
1 1/16" - 1 1/4" Stainless Steel Hose Clamp (2x)



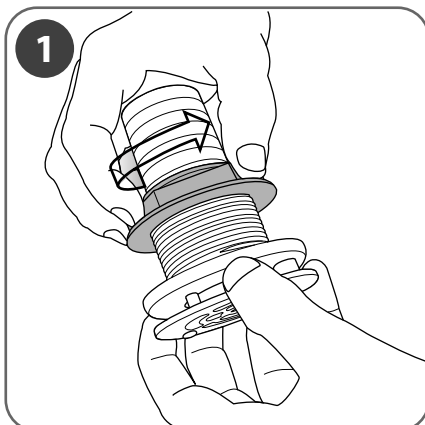
1 5/16" - 2 1/4" Stainless Steel Hose Clamp (1x)



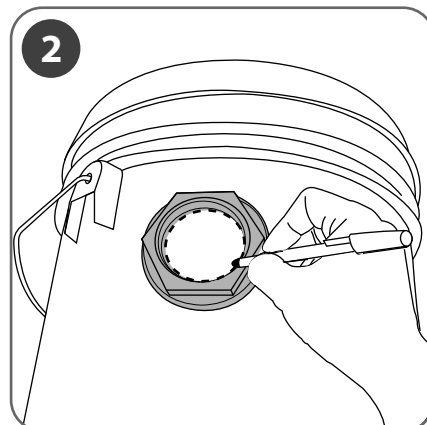
3/4" x 24" Clear Nylon Tubing (1x)



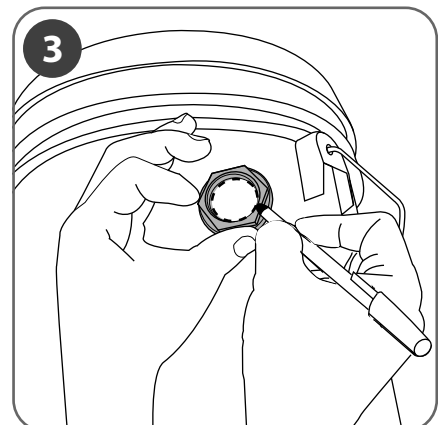
1 1/2" x 12" Clear Nylon Tubing (1x)



Remove ring from the Overflow Drain.

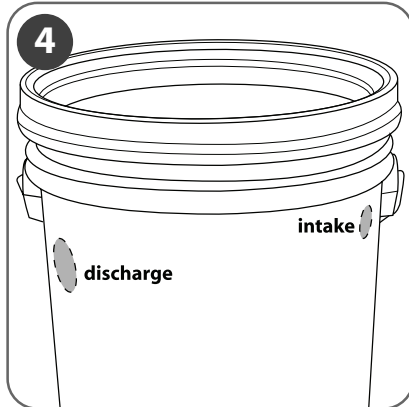


Discharge Outlet Opening - make sure it is not interfering with the handle on the bucket. Use the ring as a template to outline the cut.

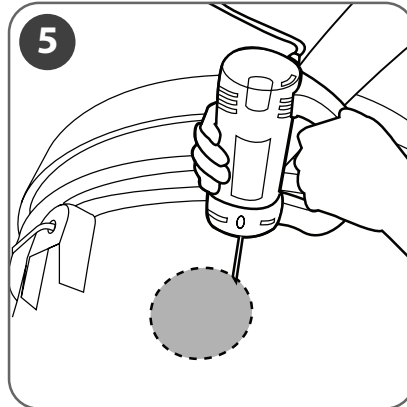


Intake Opening - for intake hole, make sure it is not interfering with the handle on the bucket and horizontally it is above the drainage. Remove ring from Aerator Head threads and use it as a template to outline the cut.

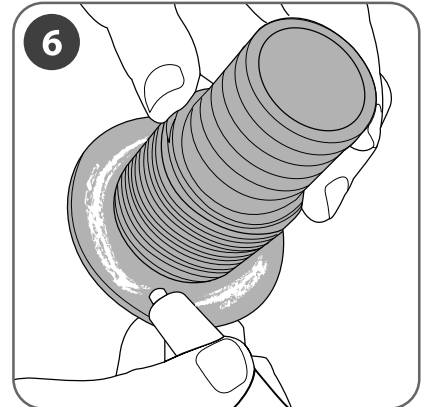
5 Gallons Live Bait Bucket Installation Instruction



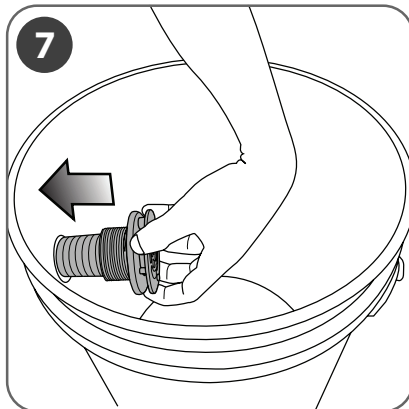
See figure above.



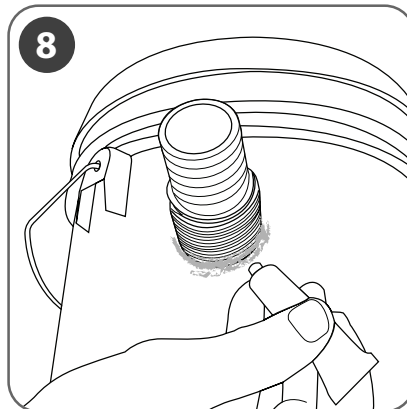
Use rotozip or jig saw to cut the holes by following the cutting lines.



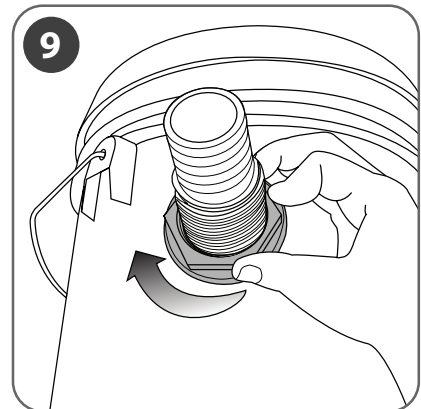
Put Marine Goop around the Overflow Drain.



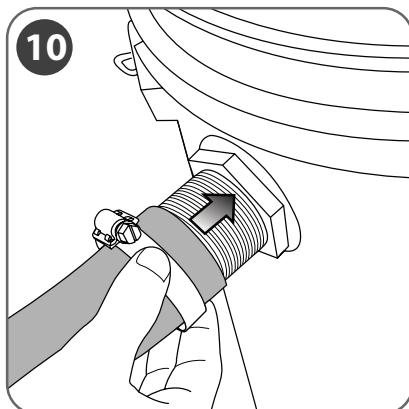
Install Overflow Drain from inside of bucket, push threads through the discharge hole.



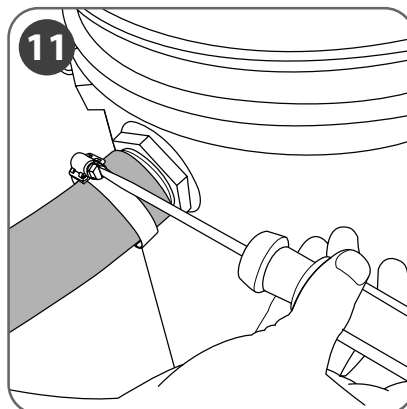
Once the Overflow Drain is in the discharge hole, apply marine goop around the threads from outside of bucket.



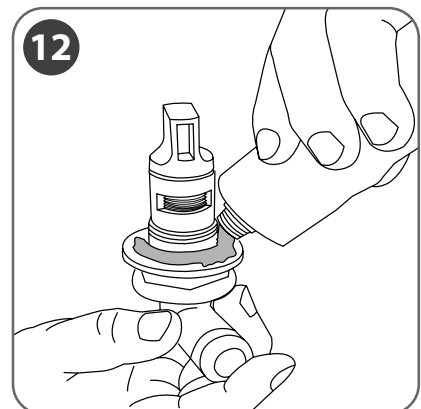
Put the ring back on to the Overflow Drain and tighten it.



Connect the large hose to the Overflow Drain with a hose clamp.

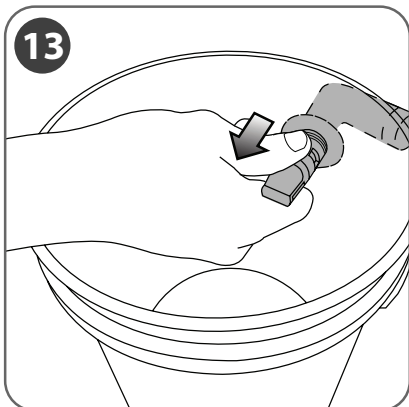


Use flat head screwdriver to tighten the hose clamp.

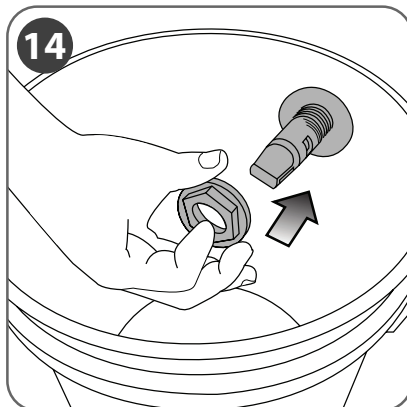


Put Marine Goop around the opening of Aerator Head.

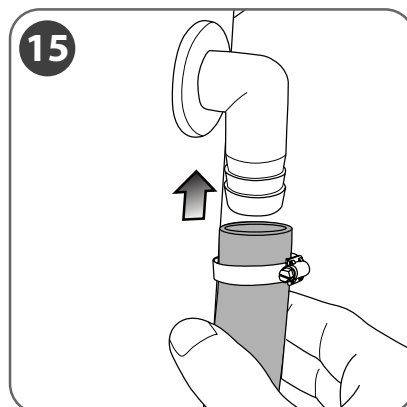
5 Gallons Live Bait Bucket Installation Instruction



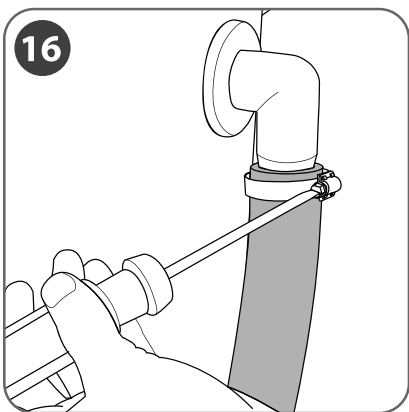
13 Install Aerator Head from outside of bucket, pull threads through the intake hole.



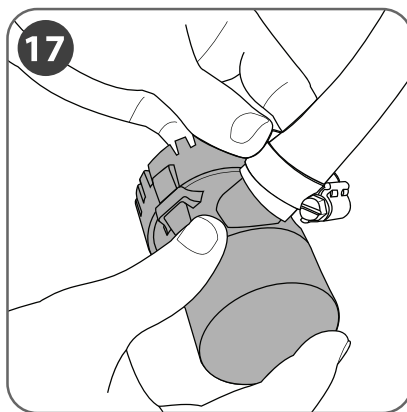
14 Insert washer and use ring to tighten Aerator into place.



15 Connect small hose to the hose barb with a small hose clamp.



16 Use flat head screwdriver to tighten the hose clamp.



17 Install the Bilge Pump to the small hose with hose clamp. Tighten the small hose clamp as step 16. Your Live Bait Bucket is ready to use once you connect the pump wires to the battery.